

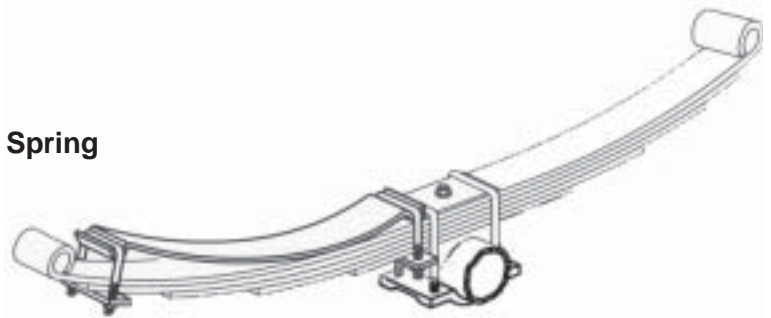
HENDERSON WHEEL & WAREHOUSE SUPPLY

2009 STEEL HELPER SPRINGS AND FOUR WHEEL DRIVE HUB CATALOG

February 2009

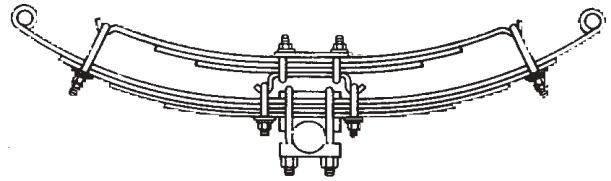
Includes:

Load-Master 600 Rear Light Helper Spring
Page 3



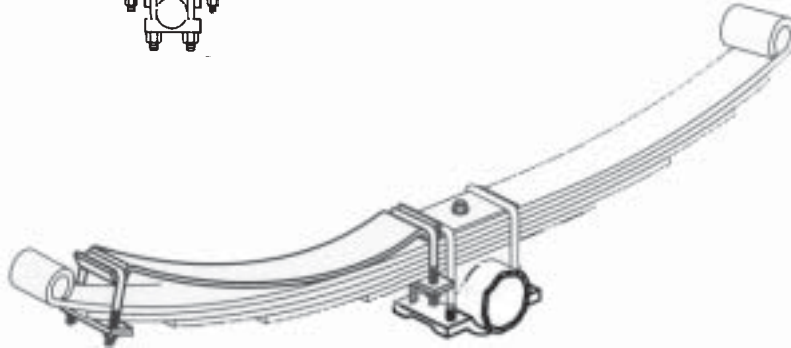
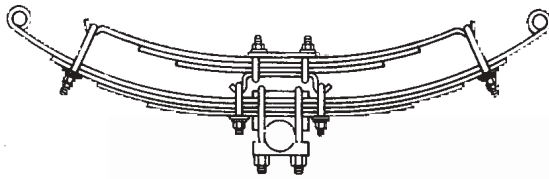
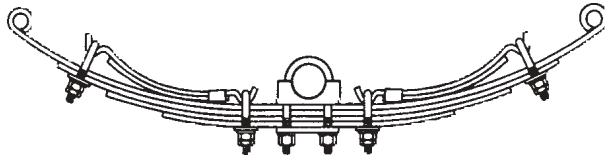
Rear Standard Duty Helper Springs
Pages 4 - 10

Selectro Four Wheel Drive Locking Hubs
Pages 11 - 12





Henderson Wheel: Your Source for Helper Springs and Four Wheel Drive Hubs



**Henderson Wheel and Warehouse Supply / 1825 South 300 West / Salt Lake City, UT 84115
Tel: (801)486-2073 / Toll Free: (800)748-5111 / Fax: (801)486-0353**

**Henderson Parts Pros / 3144 Grant Avenue / Ogden, UT 84401
Tel: (801)393-0440 / Toll Free: (800)627-3956**

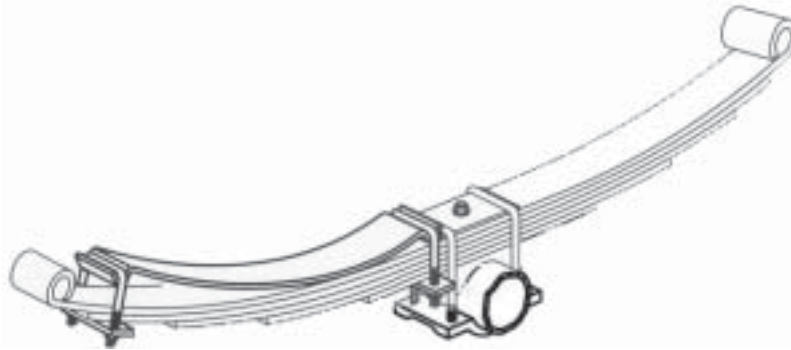
**Henderson Parts Pros / 333 North State Street / Orem, UT 84057
Tel: (801) 229-2333 Toll Free: (888) 586-8774**

**Henderson Parts Pros / 7480 South State Street / Midvale, UT 84047
Tel: (801)566-6566**

**Henderson Parts Pros / 4151 West 5415 South / Kearns, UT 84118
Tel: (801)965-1611**

**Henderson Wheel & Supply / 112 W. 34th Street / Boise, ID 83714
Tel: (208)344-6525 / Toll Free: (800)248-3444 / Fax: (208)336-1296**

**LOAD-MASTER 600
REAR LIGHT HELPER SPRING**



- Fits most domestic and import pickups, vans, utility vehicles and passenger cars with up to 2-1/2" wide rear leaf springs.
- Do-it-yourself installation. Includes all necessary hardware and instructions.
- No cutting, no welding, no drilling.
- Improves cornering stability.
- Helps "tired" springs with up to 500 lbs.^ of additional load handling capacity.
- Manufactured in the USA of the highest quality American made materials and components.
- Part Number D500-550.

^ DO NOT exceed the manufacturer's recommended Gross Vehicle Weight Rating (GVWR).

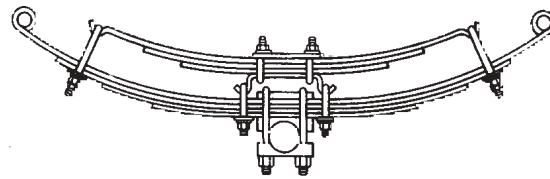
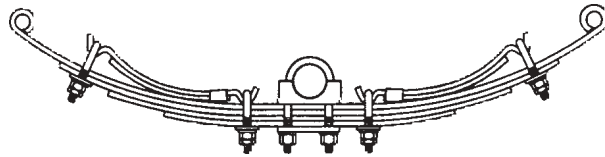


REAR STANDARD DUTY HELPER SPRINGS

Standard Duty Helper Kits are designed to add up to 2200 lbs* of additional capacity to import and domestic pickups, vans, and motorhomes. All standard duty helper kits are designed for the do-it-yourself market. They are a complete bolt on helper kit that can be installed with common hand tools in less than one hour.

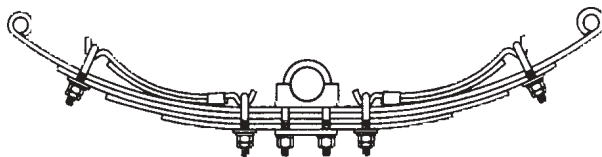
Variable Rate Design

The design has virtually no effect on the original suspension's performance until additional loads are applied. When weight is added, secondary leaves engage to enhance suspension performance and support loads up to 2200 lbs*.

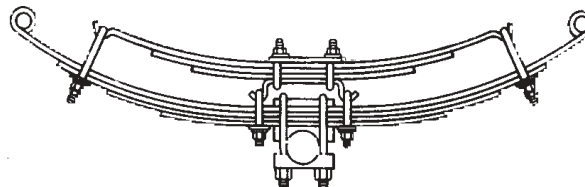


- Easily installed with hand tools.
- Do-it-yourself installation.
- Improves cornering stability.
- Manufactured in the USA of the highest quality American made materials and components.

* Never exceed the manufacturer's recommended Gross Vehicle Weight Rating (GVWR).



1500 Series
Small Pickup Overload
1500 lb. Capacity



2500 Series
Larger Pickup Overload
2200 lb. Capacity



STANDARD DUTY HELPER KITS

<i>Model</i>	<i>Year</i>	<i>Spring Width</i>	<i>Variable Rate Kit</i>
Chevrolet / GMC			
2- Wheel Drive Truck			
Suburban, Yukon XL 2500***	2000-07	2 1/2"	D505-2510
Silverado, Sierra 1500, 2500**	1999-08	2 1/2"	D505-2515
Silverado 1500HD, Sierra 2500HD, 3500, (For springs with spring clip or second stage interference) (Special Order)	2002-08	2 1/2"	D505-2567
C1500	1988-99	2 1/2"	D505-2510
C2500	1988-00	2 1/2"	D505-2515
C3500*	1988-00	2 1/2"	D505-2515
C10/1500, C20/2500, R10/1500, R20/2500	1973-87	2 1/2"	D505-2510
Blazer (full size), Jimmy, Tahoe and Suburban; All	1973-00	2 1/2"	D505-2510
S10/15 Blazer, Jimmy	1986-93	2 1/2"	D500-1515
S10/15 Pickup, Colorado, Canyon	1982-08	2 1/2"	D500-1535
* Will not fit trucks with OEM single leaf helper springs.			
** Will not fit trucks with OEM Helper Springs			
*** Multi leaf rear Springs Only			
2-Wheel Drive Van & Motorhome			
G10/1500, G20/2500, G30/3500 Classic Van and Motorhome***	1972-03	2 1/2"	D505-2510
P10/1500, P20/2500	1969-89	2 1/2"	D505-2510
*** Vans and motorhomes with multi-leaf rear springs only.			



STANDARD DUTY HELPER KITS

<i>Model</i>	<i>Year</i>	<i>Spring Width</i>	<i>Variable Rate Kit</i>
Chevrolet / GMC			
4-Wheel Drive Truck			
Suburban, Yukon XL 2500***	2000-07	2 1/2"	D505-2510
Silverado, Sierra 1500, 2500**	1999-08	2 1/2"	D505-2515
Silverado 1500HD, Sierra 2500HD, 3500 (For Springs with spring clip or second stage interference) (Special Order)	2002-08	2 1/2"	D505-2567
K1500	1988-99	2 1/2"	D505-2510
K2500	1988-00	2 1/2"	D505-2515
K3500*	1988-00	2 1/2"	D505-2515
K30/3500, V30/3500 ("V" body only)	1977-91	2 1/2"	D505-2510
K10/1500, K20/2500, V10/1500, V20/2500	1967-87	2 1/2"	D505-2510
Blazer (full size), Jimmy, Tahoe, Yukon & Suburban	1969-00	2 1/2"	D505-2510
S10/15 Pickup, Colorado, Canyon	1982-08	2 1/2"	D500-1535
S10/15 Blazer, Jimmy	1982-93	2 1/2"	D500-1515
* Will not fit trucks with OEM single leaf helper springs.			
** Will not work on trucks with OEM helper springs.			
*** Multi leaf spring only			
Dodge			
2-Wheel Drive Truck			
Ram 1500, 2500 Pickup under 8800 lbs. GVW (Special Order)	2008-03	2 1/2"	D505-2567
Ram 2500 HD, 3500 HD (Special Order)	2008-03	3"	D505-25673
Ram 1500, 2500 Pickup under 8800 lbs. GVW	1994-02	2 1/2"	D505-2520
Ram 2500, 3500 Pickup 8800 lbs. GVW and over*	1994-02	3"	D505-25203
Dakota***	1986-08	2 1/2"	D500-1535
Durango	1997-03	2 1/2"	D500-815
* Will not fit trucks with OEM single leaf helper springs.			
***Some models have brake line interference.			



STANDARD DUTY HELPER KITS

<i>Model</i>	<i>Year</i>	<i>Spring Width</i>	<i>Variable Rate Kit</i>
Dodge			
2-Wheel Drive Van & Motorhome			
B100/150, B200/250, B300/350	1970-03	2 1/2"	D505-2510
M and R Series Motorhomes (3" springs)	1970-85	3"	D505-25103
M and R Series Motorhomes (2 1/2" springs)	1970-85	2 1/2"	D505-2510
Caravan, Voyager with ABS and Multi-leaf springs	1984-95	2 1/2"	D500-550
			(Constant Rate Kit)
4-Wheel Drive Truck			
Ram 1500, 2500 Pickup under 8800 lbs. GVW (Special Order)	2008-03	2 1/2"	D505-2567
Ram 2500 HD, 3500 HD (Special Order)	2008-03	3"	D505-25673
Ram 1500, 2500 Pickup under 8800 lbs. GVW	1994-02	2 1/2"	D505-2520
Ram 2500, 3500 Pickup 8800 lbs GVW and over*	1994-02	3"	D505-25203
W100/150, W200/250, W300/350	1965-93	2 1/2"	D505-2510
Ramcharger/Trailduster	1975-93	2 1/2"	D505-2510
Dakota***	1986-08	2 1/2"	D500-1535
Durango	1997-03	2 1/2"	D500-815
* Will not work on Trucks with Single Leaf OEM Helper Springs			
*** Some models will have brake line interference.			
Ford			
2-Wheel Drive Truck			
F450 Superduty Pickup (Special Order)	2008	3"	D505-25673
F150 Heritage, F250 under 8500 lbs GVW	1997-04	2 1/2"	D505-2520
F250, 350 Superduty, 8800 lbs GVW and over, w/o OE helper spring	1999-07	3"	D505-25203
F250, F350 8500 lbs GVW and over	1997	3"	D505-25203
F250, F350	1987-96	3"	D505-25203
F250, F350 with 3" springs	1973-79	3"	D505-25103

(Continued on Page 8)



STANDARD DUTY HELPER KITS

<i>Model</i>	<i>Year</i>	<i>Spring Width</i>	<i>Variable Rate Kit</i>
Ford			
2-Wheel Drive Truck (Continued)			
F100/150	1973-96	2 1/2"	D505-2510
Ranger and Bronco II w/steel leaf springs	1983-08	2 1/2"	D500-1555
Explorer w/multi-leaf rear springs	1990-05	2 1/2"	D500-815
Ford			
2-Wheel Drive Van & Motorhome			
E100/150 w/multi-leaf springs	1975-08	2 1/2"	D505-2510
E250, E350 Vans (Rear Drum Brakes)	1975-08	3"	D505-25103
4-Wheel Drive Truck			
F450 Superduty Pickup (Special Order)	2008	3"	D505-25673
F150 Heritage, F250 under 8500 lbs GVW	1997-04	2 1/2"	D505-2520
F250, 350 Superduty, 8800 lbs GVW and over, w/o OE helper spring	1999-07	3"	D505-25203
F250, F350 8500 lbs GVW and over	1997	3"	D505-25203
F250, F350	1977-96	3"	D505-25203
F100/150	1973-96	3"	D505-25103
Bronco	1973-96	3"	D505-25103
Explorer, Explorer Sport Trax w/multi-leaf rear springs	1990-05	2 1/2"	D500-815
Ranger and Bronco II w/steel leaf springs	1983-08	2 1/2"	D500-1555
Isuzu			
2- & 4-Wheel Drive Truck			
Pickup; All	1981-95	60 mm	D500-1515
Hombre	1996-00	60 mm	D500-1535
Trooper II	1987-91	60 mm	D500-1515



STANDARD DUTY HELPER KITS

<i>Model</i>	<i>Year</i>	<i>Spring Width</i>	<i>Variable Rate Kit</i>
Jeep			
2- & 4-Wheel Drive Truck			
CJ5/7	1976-96	2 1/2"	D500-1515
Comanche	1986-93	2 1/2"	D500-1535
Wrangler	1990-96	2 1/2"	D500-1515
Cherokee Wagon w/leaf spring suspension	1984-00	2-1/2"	D500-550 (Constant Rate Kit)
Mazda			
2- & 4-Wheel Drive Truck			
2WD & 4WD Pickup; All	1994-00	2 1/2"	D500-1555
2WD Pickup; All w/steel leaf springs	1986-93	60 mm	D500-1555
4WD Pickup; All	1988-93	60 mm	D500-1555
Navajo*	1990-00	2 1/2"	D500-815
*With multi-leaf rear springs			
Nissan/Datsun			
2- & 4-Wheel Drive Truck			
Pickup; All	1986 1/2-00	60 mm	D500-1565
Pickup; All	1980-861/2	60 mm	D500-1515
Oldsmobile			
2- & 4-Wheel Drive Truck			
Bravada	1991-93	2 1/2"	D500-1515



STANDARD DUTY HELPER KITS

<i>Model</i>	<i>Year</i>	<i>Spring Width</i>	<i>Variable Rate Kit</i>
Toyota			
2-Wheel Drive Truck			
One Ton Chassis, Dual Rear Wheels	1984-93	60 mm	D500-815
Pickup, Tacoma, Tundra	1972-08	60 mm	D500-1515
T100	1993-97	60 mm	D500-1555
4-Wheel Drive Truck			
Tacoma, Tundra	2000-08	60 mm	D500-1515
Pickup	1979-99	60 mm	D500-815
T100	1992-97	60 mm	D500-1515

SELECTRO FOUR WHEEL DRIVE LOCKING HUBS

<i>Year</i>	<i>Model</i>	<i>Supreme Part No.</i>
-------------	--------------	-------------------------



Selectro Supreme

- All Chrome.
- Smooth operation.

Chevrolet/GMC

1991-69	Blazer, Suburban, Jimmy	D11002-02
1987-77	K1500 1/2 Ton Pickup	D11002-02
1987-77	K2500 3/4 Ton Pickup	D11002-02
1987-77	K3500 1 Ton Truck*	D11042-02

* With Dana 50 & 60 Axle

Dodge/Plymouth

1993-80	Ramcharger/Trailduster	D11002-02
1993-80	W100 1/2 Ton Pickup	D11002-02
1998-90	W300 1 Ton Truck*	D11042-02

* With Dana 50 & 60 Axle



SELECTRO FOUR WHEEL DRIVE LOCKING HUBS

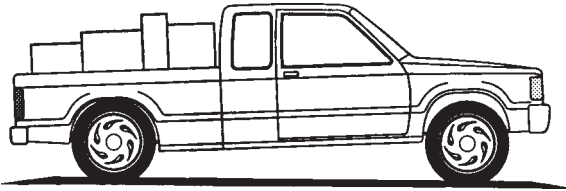
<i>Year</i>	<i>Model</i>	<i>Supreme Part No.</i>
Ford		
1996-90	Bronco - Full Sized	D11002-02
1987-86	Bronco - Full Sized	D11002-02
1996-90	F150 1/2 Ton Pickup	D11002-02
1997-90	F250 3/4 Ton Pickup (Exc. Dana 50 & 60 axle)	D11002-02
1997-90	F250 3/4 Ton Pickup w/H.D. Dana 50 & 60 axle	D11042-02
1987-77	F250 3/4 Ton Pickup (Exc. Dana 50 & 60 axle)	D11002-02
1987-77	F250 3/4 Ton Pickup w/H.D. Dana 50 & 60 axle	D11042-02
1999-76	F350 & F450 1 Ton Pickup w/H.D. Dana 50 & 60 axle	D11042-02

GMC - See Chevrolet / GMC
Jeep

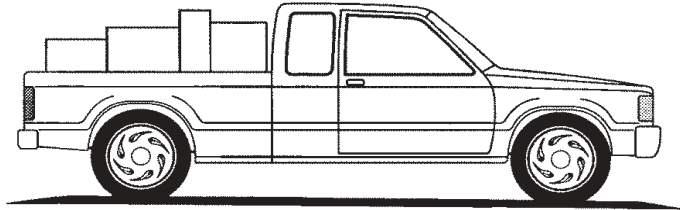
1987-74	Wagoneer, Cherokee, Gladiator	D11002-02
1980-74	J10 Pickup	D11002-02
1990-78	J20 Pickup	D11002-02

Plymouth - See Dodge / Plymouth

Get Your Tail Up with Helper Springs from Henderson Wheel

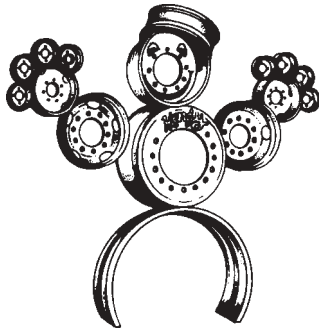


Without Helper Springs



With Helper Springs

Come visit us at one of our 6 stores:



Henderson Wheel and Warehouse Supply / 1825 South 300 West / Salt Lake City, UT 84115
Tel: (801)486-2073 / Toll Free: (800)748-5111 / Fax: (801)486-0353

Henderson Parts Pros / 3144 Grant Avenue / Ogden, UT 84401
Tel: (801)393-0440 / Toll Free: (800)627-3956

Henderson Parts Pros / 333 North State Street / Orem, UT 84057
Tel: (801) 229-2333 Toll Free: (888) 586-8774

Henderson Parts Pros / 7480 South State Street / Midvale, UT 84047
Tel: (801)566-6566

Henderson Parts Pros / 4151 West 5415 South / Kearns, UT 84118
Tel: (801)965-1611

Henderson Wheel & Supply / 112 W. 34th Street / Boise, ID 83714
Tel: (208)344-6525 / Toll Free: (800)248-3444 / Fax: (208)336-1296