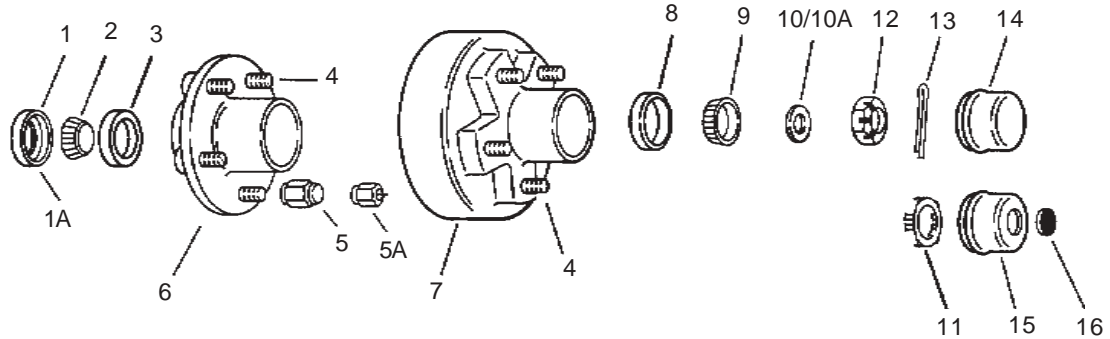


**HUB SETS AND ACCESSORIES 2000 LB. CAPACITY**  
(2000# 1" BT8 Spindle With L44643 Inner & Outer Bearings)



**HUB, HUB & DRUMS**

Item #	Part #	Description
6	725-105S	4x4.0" Idler Hub
6	7-105S	5x4.5" Idler Hub
6	7-205S	5x4.5" Idler Hub Wide Flange
7	HD-700A	4x4.0" 7" Hub & Drum
7	HD-700C	5x4.5" 7" Hub & Drum

**HUB PARTS**

Item #	Part #	Description
1	34823	Grease Seal
1A	34823C	X-tra Lube Grease Seal
2	L44643	1" I.D. Inner Bearing Cone
3	L44610	Inner Bearing Cup
4	363907	1/2" Wheel Stud
5	1404	1/2 - 20 Chrome Acorn Lug Nut
5A	611-016	1/2 - 20 Lug Nut
8	L44610	Outer Bearing Cup
9	L44643	1" I.D. Inner Bearing Cone
10	1W	1" Spindle Washer
10A	1DW	X-tra Lube Spindle Washer
11	5-101	X-tra Lube Tang Washer
12	1-14	Spindle Nut
13	-	Cotter Pin
14	46749	Dust Cap
15	21-41-1	X-tra Lube Dust Cap
16	85-1	X-tra Lube Dust Cap

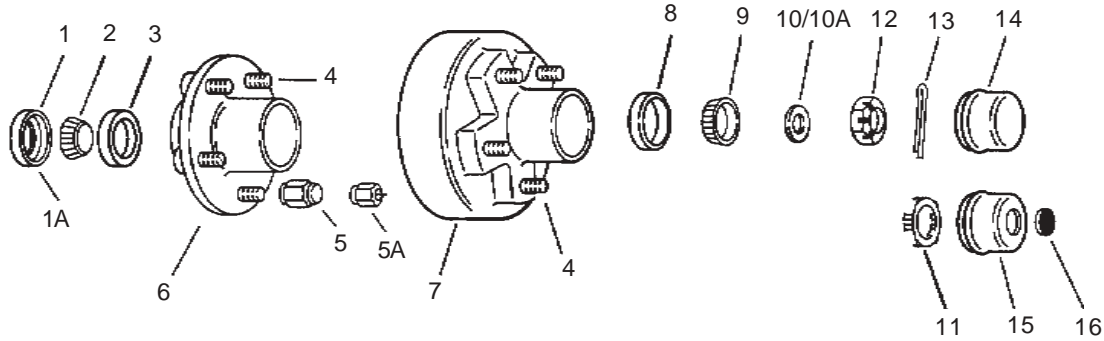
**COMPLETE HUB KITS**

(Includes Hub, Bearings, Grease Seal, Dust Cap & Lug Nuts)

Part #	Description
725-105SC-8	4x4.0" Idler Hub Kit
725-105SC-8XL	4x4.0" Idler Hub Kit - X-tra Lube
7-105SC-8	5x4.5" Idler Hub Kit
7-105SC-8XL	5x4.5" Idler Hub Kit - X-tra Lube
7-205SC-8	5x4.5" Wide Flange Idler Hub Kit
7-205SC-8XL	5x4.5" W. F. Idler Hub Kit - X-tra Lube
HD700ASC-8	4x4.0" 7" Hub & Drum Kit
HD700ASC-8XL	4x4.0" 7" Hub & Drum Kit X-tra Lube
HD700CSC-8	5x4.5" 7" Hub & Drum Kit
HD700CSC-8XL	5x4.5" 7" Hub & Drum Kit X-tra Lube



**HUB SETS AND ACCESSORIES 2000 LB. CAPACITY**  
(2000# 1-1/16" BT16 Spindle L44649 Inner & Outer Bearings)



**HUB, HUB & DRUMS**

Item #	Part #	Description
6	725-105S	4x4.0" Idler Hub
6	7-105S	5x4.5" Idler Hub
6	7-205S	5x4.5" Idler Hub Wide Flange
7	HD-700A	4x4.0" Hub & Drum 7"
7	HD-700C	5x4.5" Hub & Drum 7"

**HUB PARTS**

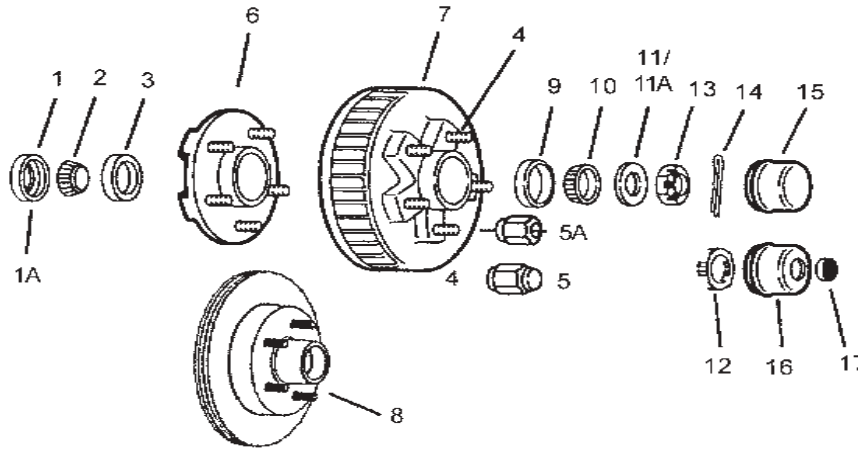
Item #	Part #	Description
1	10-9	Grease Seal
1A	10-60	X-tra Lube Grease Seal
2	L44649	1-1/16" I.D. Inner Bearing Cone
3	L44610	Inner Bearing Cup
4	363907	1/2" Wheel Stud
5	1404	1/2 - 20 Chrome Acorn Lug Nut
5A	611-016	1/2 - 20 Lug Nut
8	L44610	Outer Bearing Cup
9	L44649	1-1/16" I.D. Inner Bearing Cone
10	1W	1" Spindle Washer
10A	1DW	X-tra Lube Spindle Washer
11	5-101	X-tra Lube Tang Washer
12	1-14	Spindle Nut
13	-	Cotter Pin
14	46749	Dust Cap
15	21-41-1	X-tra Lube Dust Cap
16	85-1	X-tra Lube Dust Cap

**COMPLETE HUB KITS**

(Includes Hub, Bearings, Grease Seal, Dust Cap & Lug Nuts)

Part #	Description
725-105SC-9	4x4.0" Idler Hub Kit
725-105SC-9XL	4x4.0" Idler Hub Kit - X-tra Lube
7-105SC-9	5x4.5" Idler Hub Kit
7-105SC-9XL	5x4.5" Idler Hub Kit - X-tra Lube
7-205SC-9	5x4.5" Wide Flange Idler Hub Kit
7-205SC-9XL	5x4.5" W. F. Idler Hub Kit - X-tra Lube
HD700ASC-9	4x4.0" 7" Hub & Drum Kit
HD700ASC-9XL	4x4.0" 7" Hub & Drum Kit X-tra Lube
HD700CSC-9	5x4.5" 7" Hub & Drum Kit
HD700CSC-9XL	5x4.5" 7" Hub & Drum Kit X-tra Lube

### HUB SETS AND ACCESSORIES 3500 LB. CAPACITY



#### HUB, HUB & DRUMS

Item #	Part #	Description
6	10-215S	5 x 4.5" Idler Hub
7	10-210S	5 x 4.5" 10" Hub & Drum
6	10-315S	5 x 4.75" Idler Hub
7	10-310S	5 x 4.75" 10" Hub & Drum
6	10-415S	5 x 5.0" Idler Hub
7	10-410S	5 x 5.0" 10" Hub & Drum
6	10-515S	5 x 5.5" Idler Hub
7	10-510S	5 x 5.5" 10" Hub & Drum
6	10-615S	6 x 5.5" Idler Hub
7	10-610S	5 x 5.5" 10" Hub & Drum

#### HUB PARTS

Item #	Part #	Description
1	58846	Grease Seal
1A	58846C	X-tra Lube Grease Seal
2	L68149	Inner Bearing Cone
3	L68111	Inner Bearing Cup
4	363907	1/2" Wheel Stud
5	1404	1/2 - 20 Chrome Acorn Lug Nut
5A	611-016	1/2 - 20 Lug Nut
9	L44610	Outer Bearing Cup
10	L44649	Outer Bearing Cone
11	1W	1" Spindle Washer
11A	1DW	X-tra Lube Spindle Washer
12	5-101	X-tra Lube Tang Washer
13	1-14	Spindle Nut
14	-	Cotter Pin
15	46749	Dust Cap
16	21-41-1	X-tra Lube Dust Cap
17	85-1	X-tra Lube Dust Cap

#### COMPLETE HUB KITS

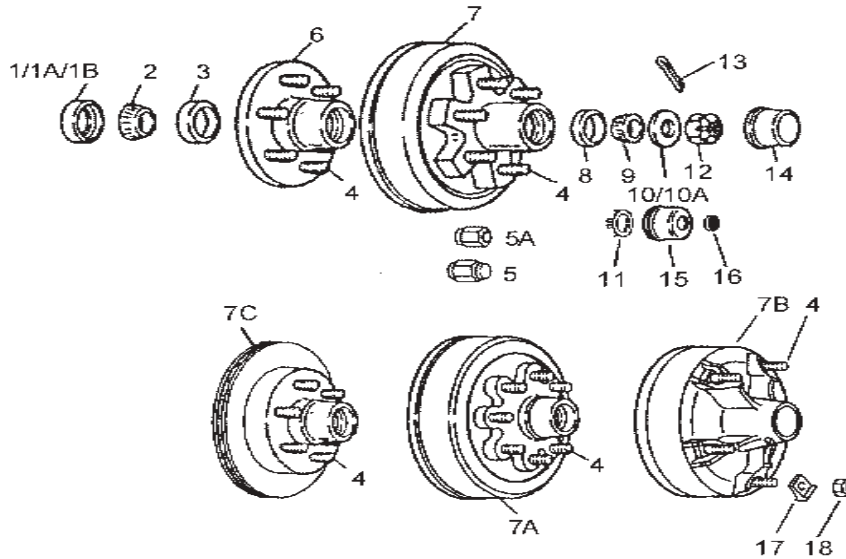
(Includes Hub, Bearings, Grease Seal, Dust Cap & Lug Nuts)

Part #	Description	Part #	Description
10-215SC	5 x 4.5" Idler Hub Kit	10-410SC	5 x 5.0" 10" Hub & Drum Kit
10-215SC-XL	5 x 4.5" Idler Hub Kit - X-tra Lube	10-410SC-XL	5 x 5.0" 10" Hub & Drum - X-tra Lube
10-210SC	5 x 4.5" 10" Hub & Drum Kit	10-515SC	5 x 5.5" Idler Hub Kit
10-210SC-XL	5 x 4.5" 10" Hub & Drum - X-tra Lube	10-515SC-XL	5 x 5.5" Idler Hub Kit - X-tra Lube
10-315SC	5 x 4.75" Idler Hub Kit	10-510SC	5 x 5.5" 10" Hub & Drum Kit
10-315SC-XL	5 x 4.75" Idler Hub Kit - X-tra Lube	10-510SC-XL	5 x 5.5" 10" Hub & Drum - X-tra Lube
10-310SC	5 x 4.75" 10" Hub & Drum Kit	10-615SC	6 x 5.5" Idler Hub Kit
10-310SC-XL	5 x 4.75" 10" Hub & Drum - X-tra Lube	10-615SC-XL	6 x 5.5" Idler Hub Kit - X-tra Lube
10-415SC	5 x 5.0" Idler Hub Kit	10-610SC	6 x 5.5" 10" Hub & Drum Kit
10-415SC-XL	5 x 5.0" Idler Hub Kit - X-tra Lube	10-610SC-XL	6 x 5.5" 10" Hub & Drum - X-tra Lube



**HUB SETS AND ACCESSORIES 5200, 6000 & 7000 LB. CAPACITY**

(Hubs use 15123 Outer Bearings)



**HUB, HUB & DRUMS**

Item #	Part #	Description
6	12-215S	6 x 5.5 Idler Hub
7	12-220S	6 x 5.5 12" Hub & Drum
7A	12-300S	8 x 6.5" 12" Hub & Drum
7B	008-174-05	Demountable H & D

**HUB PARTS**

Item #	Part #	Description
1	42385	2.250" I.D. Grease Seal
1A	42385C	2.250" I.D. Grease Seal Dbl Lip
1B	AD8717E	2.125" I.D. Grease Seal Dbl Lip
2	25580	Inner Bearing Cone
3	25520	Inner Bearing Cup
4	363909	1/2" Wheel Stud
4	ST-504	1/2" Wheel Stud for DB Hub
5	1404	1/2 - 20 Chrome Acorn Lug Nut
5A	611-016	1/2 - 20 Lug Nut
8	15245	Outer Bearing Cup
9	15123	Outer Bearing Cone
10	1W	1" Spindle Washer
10A	1DW	X-tra Lube Spindle Washer
11	5-101	X-tra Lube Tang Washer
12	1-14	Spindle Nut
13	-	Cotter Pin
14	45896	Dust Cap
15	21-42-1	X-tra Lube Dust Cap
16	85-1	X-tra Lube Dust Cap
17	45895	Rim Clamp
18	UN-1	9/16" Nut for Rim Clamp

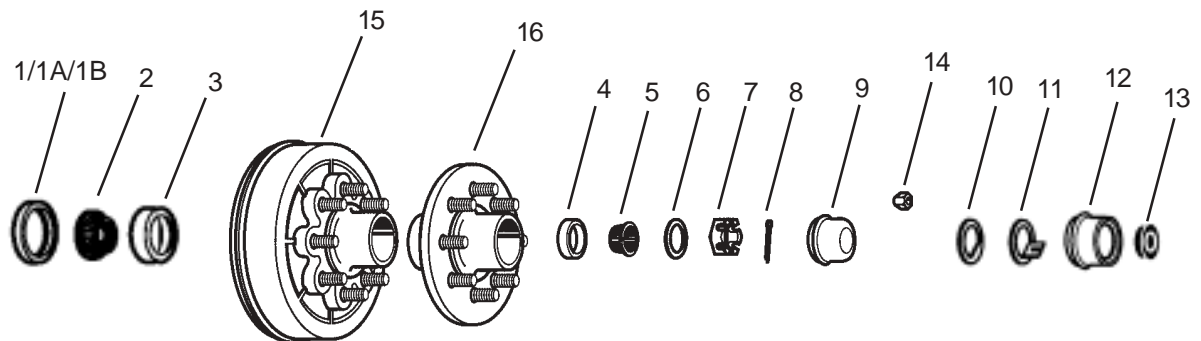
**COMPLETE HUB KITS**

(Includes Hub, Bearings, Grease Seal, Dust Cap & Lug Nuts)

Part #	Description
12-215SC	6 x 5.5 Idler Hub Kit
12-215SC-XL	6 x 5.5 Idler Hub Kit X-tra Lube
12-220SC	6 x 5.5 12" Hub & Drum Kit
12-220SC-XL	6 x 5.5 12" Hub & Drum Kit - X-tra Lube
12-300SC	8 x 6.5" 12" Hub & Drum Kit
12-300SC-XL	8 x 6.5" 12" Hub & Drum Kit - X-tra Lube

### HUB SETS AND ACCESSORIES 5200, 6000 & 7000 LB. CAPACITY

(Hubs use 14125A Outer Bearings)



#### HUB, HUB & DRUMS

Item #	Part #	Description
15	12-310S	8 X 6.5 12" Hub & Drum
16	12-315S	8 x 6.5 Idler Hub

#### COMPLETE HUB KITS

(Includes Hub, Bearings, Grease Seal, Dust Cap & Lug Nuts)

Part #	Description
12-315SC	8 x 6.5 Idler Hub Kit
12-315SC-XL	8 x 6.5 Idler Hub Kit X-tra Lube
12-310SC	8 x 6.5" 12" Hub & Drum Kit
12-310SC-XL	8 x 6.5" 12" Hub & Drum Kit - X-tra Lube

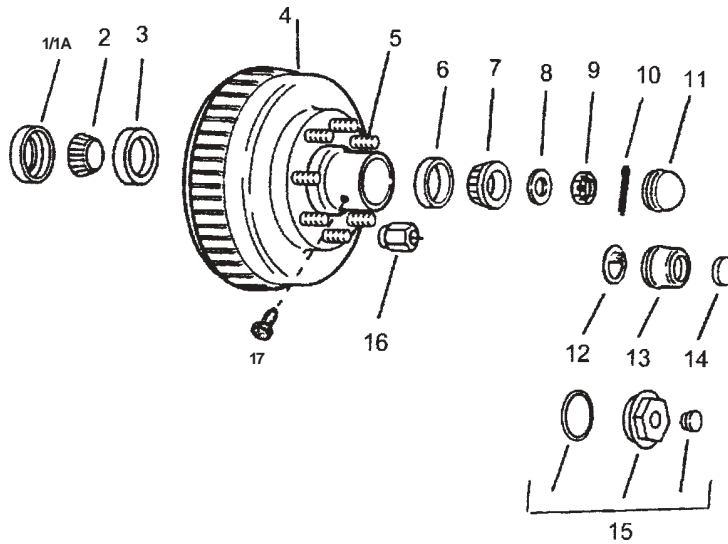
#### HUB PARTS

Item #	Part #	Description
1	42385	2.250" I.D. Grease Seal
1A	42385C	2.250" I.D. Grease Seal Double Lip
1B	AD8717E	2.125" I.D. Grease Seal Double Lip
2	25580	Inner Bearing Cone
3	25520	Inner Bearing Cup
4	14246	Outer Bearing Cup
5	14125A	Outer Bearing Cone
6	1W	1" Spindle Washer
7	1-14	Spindle Nut
8	-	Cotter Pin
9	45896	Dust Cap
10	1DW	X-tra Lube Spindle Washer
11	5-101	X-tra Lube Tang Washer
12	21-42-1	X-tra Lube Dust Cap
13	85-1	X-tra Lube Dust Cap
14	611-016	1/2 - 20 Lug Nut



**HUB SETS AND ACCESSORIES DEXTER 7200# HUB & DRUM**

(For Use With Cast Backing Plates After May 2000)



**HUB & DRUMS**

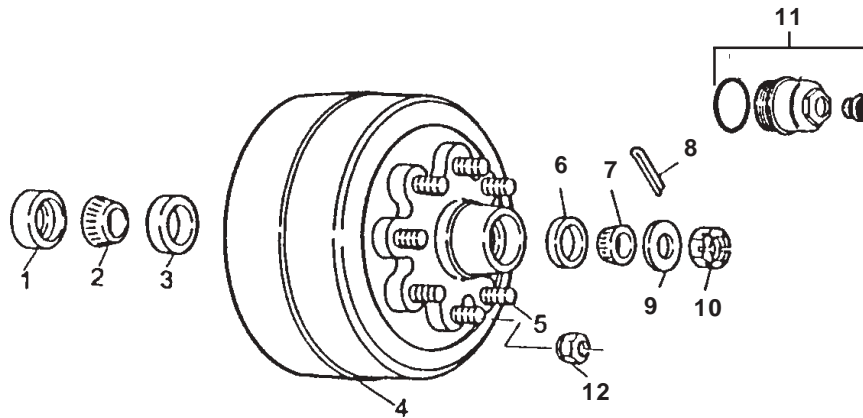
(After May 2000 for Cast Backing Plate Brakes)

Item #	Part #	Description
4	008-393-04	Grease 9/16" Studs
4	008-393-06	Grease 5/8" Studs
4	008-393-03	Oil Bath 9/16" Studs
4	008-393-05	Oil Bath 5/8" Studs

**HUB PARTS**

Item #	Part #	Description
1	K71-305-00	Grease Seal
1A	K71-386-00	Oil Seal
2	25580	Inner Bearing Cone
3	25520	Inner Bearing Cup
6	BCA2420	Outer Bearing Cup
7	BCA2475	Inner Bearing Cup
8	1W	Axle Washer
9	1-14	Spindle Nut
10		Cotter Pin
11	605	Grease Cap
12	5-101	E-Z Lube Tang Washer
13	21-43-1	Grease Cap E-Z Lube
14	85-1	E-Z Lube Rubber Plug
15	K71-038-00	Oil Cap Kit
16	DOR611-052	9/16"-18 Lug Nut, 60°
16A	DOR611-055	5/8"-18 Lug Nut, 90°
17	46-52	Oil Filler Plug

### HUB SETS AND ACCESSORIES AL-KO / HAYES 8K HUB & DRUM



#### HUB & DRUMS

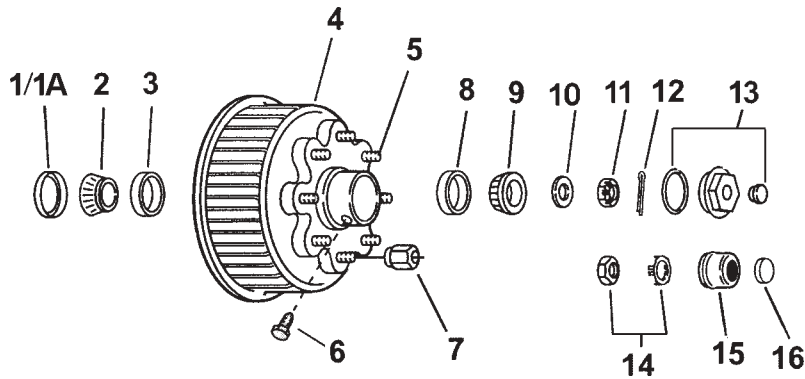
Item #	Part #	Description
4	363694	H & D Oil Bath 9/16" Studs
4	363967	H & D Oil Bath 5/8" Studs

#### HUB PARTS

Item #	Part #	Description
1	K71-386-00	Oil Seal
2	25580	Inner Bearing Cone
3	25520	Inner Bearing Cup
5	363906	Wheel Stud 9/16"
5	09251513	Wheel Stud 5/8"
6	BCA02420	Outer Bearing Cup
7	BCA02475	Outer Bearing Cone
8		Cotter Pin
9	1W	1" Spindle Washer
10	1-14	1" Spindle Nut
11	K363587	Oil Cap Kit
12	DOR611-047	Wheel Nut 9/16" 60 Deg. Cone
12	DOR611-058	Wheel Nut 9/16" 90 Deg. Cone
12	DOR611-044	Wheel Nut 5/8" 90 Deg. Cone



HUB SETS AND ACCESSORIES DEXTER 8000# HUB & DRUM



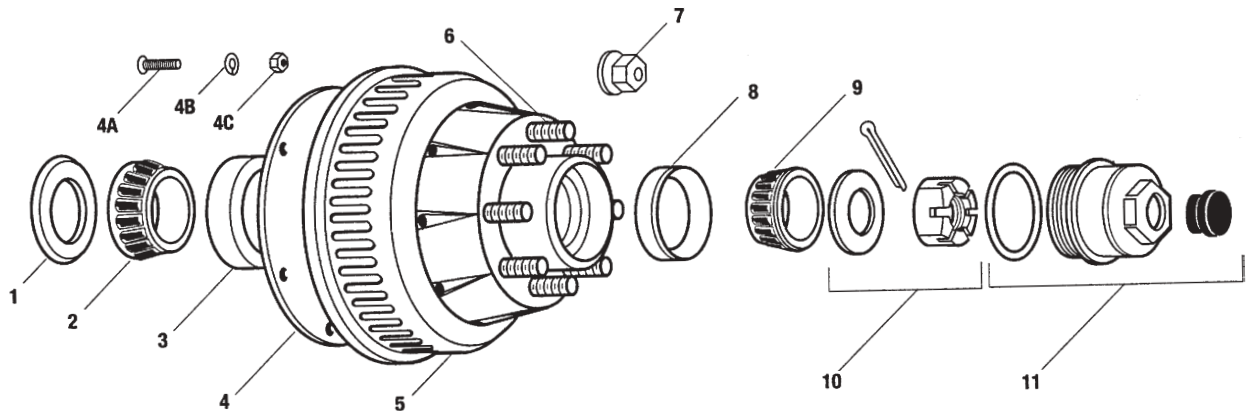
HUB & DRUMS

Item #	Part #	Description
4	008-285-08	H & D Grease 5/8" Studs
4	008-285-15	H & D Grease 5/8" Studs ABS
4	008-285-11	H & D Grease 9/16" Studs
4	008-285-13	H & D Grease 9/16" Studs ABS
4	008-285-10	H & D Oil 5/8" Studs
4	008-285-14	H & D Oil 5/8" Studs ABS
4	008-285-09	H & D Oil 9/16" Studs
4	008-285-12	H & D Oil 9/16" Studs ABS
4	008-287-07	Idler Hub Grease 5/8" Stud
4	008-287-11	Idler Hub Grease 9/16" Stud
4	008-287-14	Idler Hub Oil 5/8" Stud
4	008-287-17	Idler Hub Oil 9/16" Stud

HUB PARTS

Item #	Part #	Description
1	K71-305-00	Grease seal
1A	K71-386-00	Oil Seal
2	25580	Inner Bearing Cone
3	25520	Inner Bearing Cup
5	007-132-00	9/16" Wheel Stud
5	007-232-00	5/8" Wheel Stud
6	46-32	Oil Cap Plug
7	DOR611-052	9/16"-18 Lug Nut, 60°
7	DOR611-055	5/8"-18 Lug Nut, 90°
8	02420	Outer Bearing Cup
9	02475	Outer Bearing Cone
10	1W	Spindle Washer
11	1-14	Spindle Nut
12	--	Cotter Pin
13	K71-038-33	Oil Cap Kit
14	K71-622-00	Retainer Spindle Nut Kit
15	21-43-1	E-Z Lube Axles
15		Dust Cap E-Z Lube
16	85-1	E-Z Lube Plug

### HUB SETS AND ACCESSORIES AL-KO / HAYES 9K - 10K GENERAL DUTY AXLE



#### HUB & DRUMS

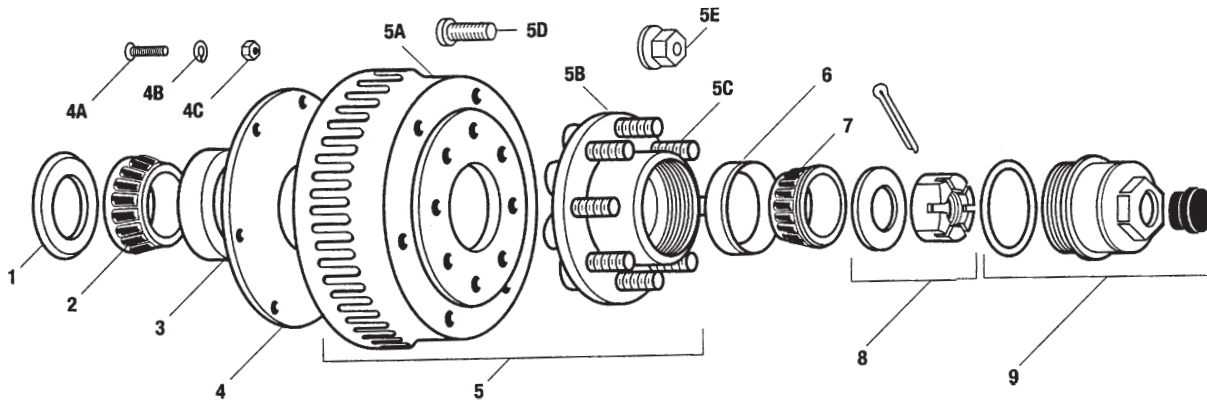
Item #	Part #	Description
5	568270	Hub & Drum Assembly

#### HUB PARTS

Item #	Part #	Description
1	NAT710395	Oil Seal
2	BCA28580	Inner Bearing Cone
3	BCA25521	Inner Bearing Cup
4	568261	Armature Plate
4A	568263	Flat Head Bolt 1/4"-20
4B	918-010	Lock Washer 1/4"
4C	910-010	Hex Nut 1/4"- 20
6	363910	Wheel Stud
7	568216	Wheel Nut 5/8" Swivel Flange
8	25520	Outer Bearing Cup
9	25580	Outer Bearing Cone
10	K568135	Spindle Nut Kit
11	K568220	Oil Cap Kit



HUB SETS AND ACCESSORIES AL-KO / HAYES 10K - 12K HEAVY DUTY AXLE



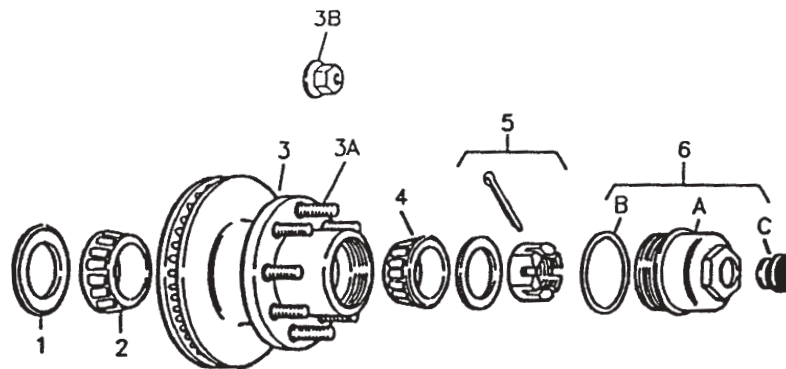
HUB & DRUMS

Item #	Part #	Description
5	568260	Hub & Drum Assembly

HUB PARTS

Item #	Part #	Description
1	NAT370014A	Oil Seal
2	BCAJM511946	Inner Bearing Cone
3	BCAJM511910	Inner Bearing Cup
4	568261	Armature Plate
4A	568263	Flat Head Bolt 1/4"-20
4B	918-010	Lock Washer 1/4"
4C	910-010	Hex Nut 1/4" - 20
5C	363910	Wheel Stud
5D	568626	Hub & Drum Mounting Bolt
5E	568216	Wheel Nut 5/8" Swivel Flange
6	BCAJM205110	Outer Bearing Cup
7	BCAJM205149	Outer Bearing Cone
8	K568135	Spindle Nut Kit
9	K568220	Oil Cap Kit

**HUB SETS AND ACCESSORIES AL-KO / HAYES 10K - 12K HEAVY DUTY AXLE**



**HUB & ROTOR ASSEMBLY 10K**

Item #	Part #	Description
3	9089421	Hub & Rotor Assy.

**HUB & ROTOR ASSEMBLY 12K**

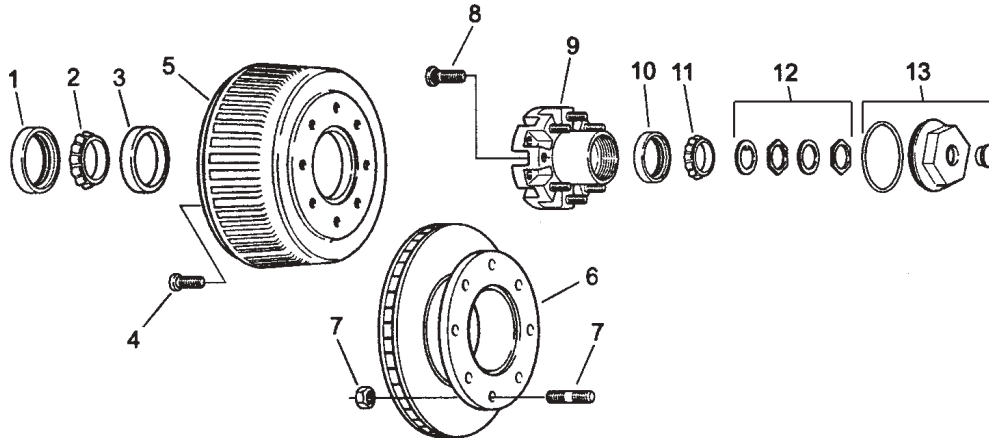
Item #	Part #	Description
3	9089421	Hub & Rotor Assy.

Item #	Part #	Description
1	K71-388-00	Wheel Seal
2	BCAJM511946	Inner Bearing
2	BCAJM511910	Inner Race
3A	363910	5/8" Wheel Stud
3B	568216	5/8" Swivel Nut
4	BCAJM205149	Outer Bearing
4	BCAJM205110	Outer Race
5	K568135	Spindle Nut Kit
6	K568220	Oil Cap Kit

Item #	Part #	Description
1	K71-388-00	Wheel Seal
2	BCAJM511946	Inner Bearing
2	BCAJM511910	Inner Race
3A	363910	5/8" Wheel Stud
3B	568216	5/8" Swivel Nut
4	BCAJM205149	Outer Bearing
4	BCAJM205110	Outer Race
5	K568135	Spindle Nut Kit
6	K568220	Oil Cap Kit



HUB SETS AND ACCESSORIES DEXTER HEAVY DUTY AXLES



HUB & DRUMS

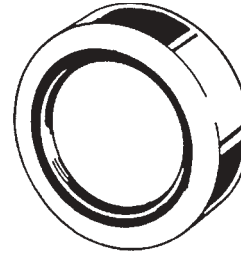
Item #	Description	9K & 10K GD	10KH.D.	12K	15K	
1	Oil Seal	K71-387-00	K71-388-00	K71-388-00	K71-388-00	
2	Inner Bearing	BCA387A	BCA3955	BCA3984	BCA3984	
3	Inner Race	BCA382A	BCA394A	BCA3920	BCA3920	
4	Drum Mounting Screw	K71-355-00	K71-354-00	K71-354-00	K71-354-00	
5	Brake Drum	009-044-01	009-027-01	009-028-01	009-028-01	
5	Brake Drum ABS	009-044-03	009-027-03	009-028-05	009-028-05	
6	Brake Rotor	n/a	070-006-01	070-006-01	n/a	
6	Brake Rotor - ABS	n/a	070-006-02	070-006-02	n/a	
7	Rotor Mounting Stud & Nut	n/a	K71-356-00	K71-356-00	n/a	
8	Wheel Stud	K71-342-00	K71-342-00	K71-342-00	007-194-00	Std
9	Hub w/ Cup & Stud	008-288-03	008-214-05	008-214-08	008-401-05	007-195-00
	Hub w/ Cup & Stud - Disc Brake		008-214-06	008-214-10	008-401-06	Std
	Hub w/ Cup & Stud - Low Profile			008-216-00		Long
10	Outer Race	25580	BCA382A	BCA28622	BCA28622	
11	Outer Bearing	25520	BCA387A	BCA28682	BCA28682	
12	Spindle Nut & Washer	K71-367-00	K71-341-00	K71-341-00	K71-341-00	
13	Oil Cap Kit	K71-148-00	K71-148-00	K71-148-00	K71-148-00	



### TRAILER/AGRICULTURAL SEALS 2000 TO 15,000 LB. AXLES

#### TRAILER/AGRICULTURAL SEAL TYPES:

1. Single Lipped, Grease
2. Single Lipped, Spring Loaded, Grease
3. Double Lipped, Spring Loaded, Grease
4. Double Lipped, Spring Loaded, Rubber Encased, Grease
5. Oil Seal

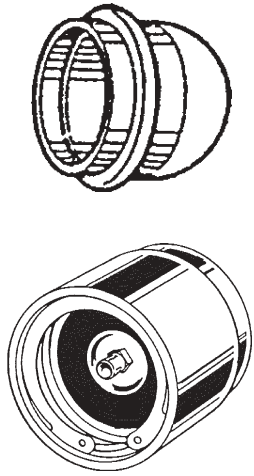


SEAL OUTSIDE DIAMETER APPROX.	SEAL OUTSIDE DIAMETER SPECS.	SHAFT DIAMETER	WIDTH	PART NO.	TYPE	COMMON INNER BEARING NUMBERS
2"	1.983"	1.250"	.250"	34823	1	L44643, L44649
2"	1.983"	1.250"	.250"	34823C	3	L44643, L44649
2"	1.983"	1.372"	.432"	13194TB	3	L44643, L44649
2"	1.980"	1.380"	.485"	#1	2	L44643, L44649
2"	1.979"	1.437"	.500"	3151	4	L44643, L44649
2"	1.987"	1.500"	.188"	10-9	1	L44643, L44649
2"	1.987"	1.500"	.188"	10-60	3	L44643, L44649
2-5/16"	2.331"	1.684"	.313"	#233-168-SP2-1	3	LM67048
2-5/16"	2.331"	Original .530" 1.750"	.312"	K71-302-00	1	LM67048
2-3/8"	2.356"	1.750"	.500"	#3150	4	L68149
2-3/8"	2.365"	1.862"	.560"	#10 Spindo Seal	2	L68149
2-1/2"	2.510"	1.938"	.281"	K71-389-00	1	L68149
(Replaces 10-41 Nylon Seal)						
2-9/16"	2.566"	1.625"	.438"	SL-162	1 AG	JL69349
2-9/16"	2.565"	1.750"	.500"	58846	1	L68149, LM48548
2-9/16"	2.565"	1.750"	.500"	58846C	3	L68149, LM48548
2-9/16"	2.560"	1.860"	.590"	#2	2	L68149, L45848
2-5/8"	2.627"	1.686"	.374" & .50"	NAT440265	2	LM48548
2-3/4"	2.722"	1.750"	.359"	SL-175	1 AG	LM48548
2-7/8"	2.883"	2.000"	.500"	3149	4	LM501349
3-1/16"	3.066"	2.000"	.250"	SL-200	1 AG	LM501349
3-1/4"	3.269"	2.125"	.500"	#326-213-SP2-1	3	VARIOUS
3-3/8"	3.377"	2.125"	.438"	AD8717E	3	25580
3-3/8"	3.376"	2.250"	.375"	42385	1	25580
3-3/8"	3.376"	2.250"	.375"	42385C	3	25580
3-3/8"	3.376"	2.250"	.414"	K71-386-00	5	25580
3-5/8"	3.784"	2.750"	.438"	NAT710395	2	28580
3-5/8"	3.628"	2.375"	.359"	AB3267	2	28580
3-3/4"	3.756"	2.750"	.375"	SL-275	1 AG	JLM506849
3-3/4"	3.779"	2.750"	.762"	NAT370352A	5	28580
3-7/8"	3.880"	2.875"	.414"	K71-387-00	5	387A
4-1/2"	4.506"	3.125"	.605"	K71-388-00	5	395S, 3984, JM511946

\*E/S Existing Stock Only



**GREASE CAPS / BEARING PROTECTORS**



OUT DIAM / HUB FIT APPROX.	HUB FIT SPECS.	CAP NO.	AXLE MANUF.	OUTSIDE BEARINGS/CUPS	BEARING PROTECTOR	COVER/ BRA
1-9/16"	1.563"	MOT13976	Automotive	Various	-	-
1-25/32"	1.781"	MOT13975	Trailer, Automotive	LM11949 / LM11910 Various Others	#1781	#17B
1-13/16"	1.810"	3121	Hadco	L12749 / LM12711	#1810	#17B
1-15/16"	1.938"	-	Trailer	09067 / 09194 09067 / 09195 09067 / 09196	#1938	#19B
1-31/32"	1.968"	-	Trailer	M12649 / M12610	#1968	#19B
2"	1.980"	46749 (3001) 21-41-1 X-Tra Lube Cap*	Henderson	L44643 / L46610	#1980	#19B
2"	1.980"	Externally Threaded	Trailer	L44643 / L46610 L44649 / L44610	#1980T Threaded	#19B
2-3/64"	2.047"	-	Trailer	Various / 07204	#2047	19B
2-3/32"	2.080"	-	Trailer	900 Series / 900 Series	#2080	#19B
2-3/32"	2.094"	MOT13977	Automotive	Various	-	-
2-1/4"	2.240"	-	Trailer	1700 Series / 1729	#2240	#19B
2-21/64"	2.328"	#316	Hadco	LM67048 / LM67010 Hub not Counterbored	#2328	#23B
2-7/16"	2.441"	45896 21-42-1 X-Tra Lube Cap*	Henderson, Agricultural	LM67048/ LM67010 15123 / 15245 Hub Counterbored	#2441	#23B
2-9/16"	2.562"	-	Trailer	LM48548 / LM48510	#2562	#23B
2-23/32"	2.717"	605 21-43-1 X-Tra Lube Cap*	Henderson	14125A / 14276	#2717	#23B
3-1/8"	3.125"	1609	Agricultural	LM501349 / LM501310	-	-
3-5/8"	3.625"	92105	Hayes	25580 / 25520 JM205149 / JM205110	-	-

\*Uses 85-1 Rubber Plug

**BEARING PROTECTOR COVERS**

Sold only in pairs.

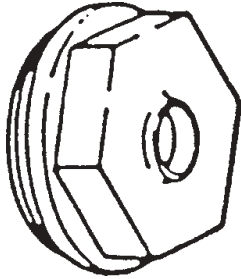
BEARING PROTECTOR COVERS (BRA)	FITS:
#17B Bubble Pack Packaging	#1781, #1810
#19B Bubble Pack Packaging	#1980, #1980T, #1938, #1968, #2047, #2080, #2240
#23B Bubble Pack Packaging	#2328, #2441, #2562, #2717



### OIL CAPS

All externally threaded.

Includes O-Ring, Oil Fill Plug.



THREAD DIAMETER	THREADS PER INCH	CAP NO.	AXLE MANUF.	OUTSIDE BEARINGS/CUPS
2-7/8"	12	K71-038-00 (Sold in Pairs)	Dexter	02475 / 02420 14125A / 14276 25580 / 25520
2-7/8"	10	K363587	Hayes / Al-Ko	25580 / 25520
3-3/4"	8	K568220	Hayes / Al-Ko	25580 / 25520 JM205149 / JM205110
4"	12	K71-148-00 (Sold in Pairs)	Dexter	25580 / 25520

Dexter Oil Fill Plug available separately, part number 46-32.